



NOVA RIDE



T47 BOTTOM BRACKET INSTALLATION MANUAL

MANUEL DE MONTAGE
POUR BOITIER DE PÉDALIER FILETÉ T47



T47

TOOLS NEEDED

OUTILS NÉCESSAIRES

T47 85,5

T47 77A

T47 68

24/29/30MM

- **DÉGRAISSANT**

Dégraissant

- **LITHIUM GREASE**

Graisse au lithium

- **NOVA RIDE TOOL**

Outil Nova Ride



or

- **TORQUE WRENCH + BIG NOVA RIDE TOOL**

Clé dynamométrique + douille Nova Ride



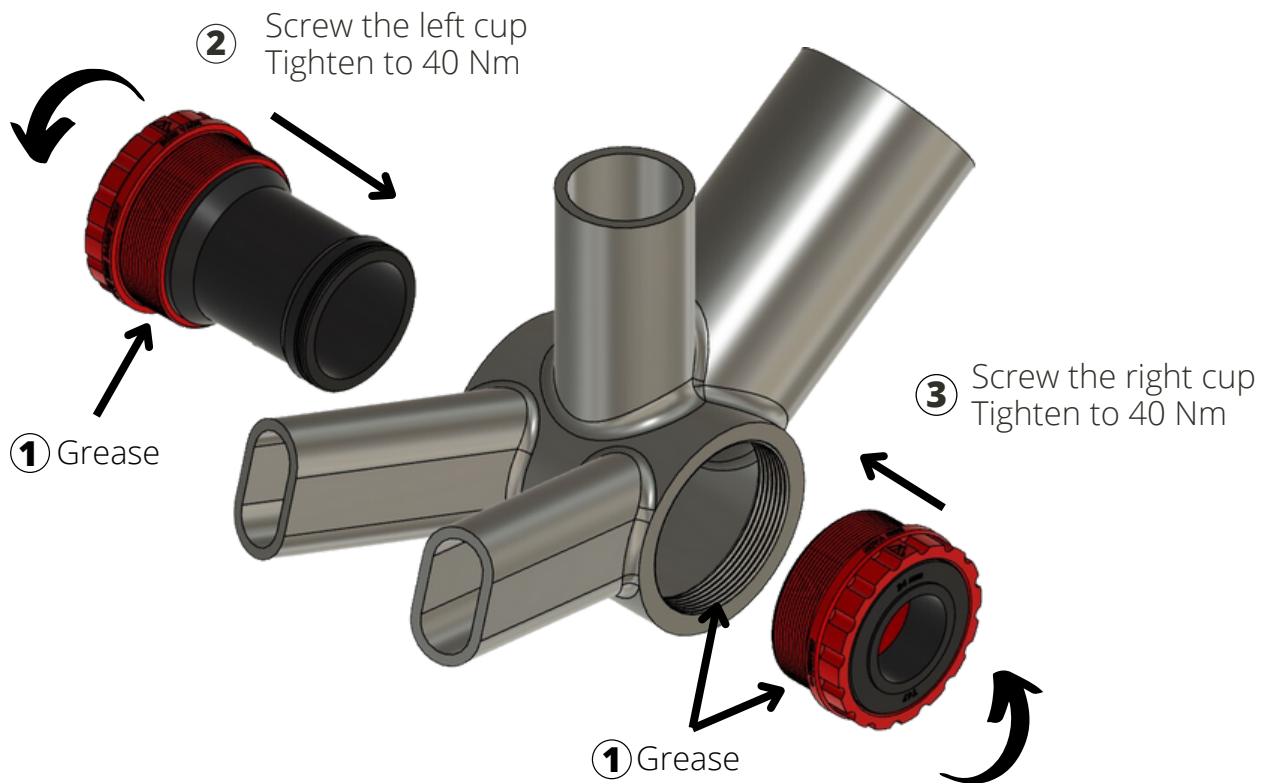
QUICK SETTINGS

INSTALLATION RAPIDE

T47 68 - 24/29/30MM

QUICK SETTINGS / INSTALLATION RAPIDE

Non drive Side (Left)



Drive Side (Right)

T47 85,5 - 24/29/30MM

QUICK SETTINGS / INSTALLATION RAPIDE

Non drive Side (Left)

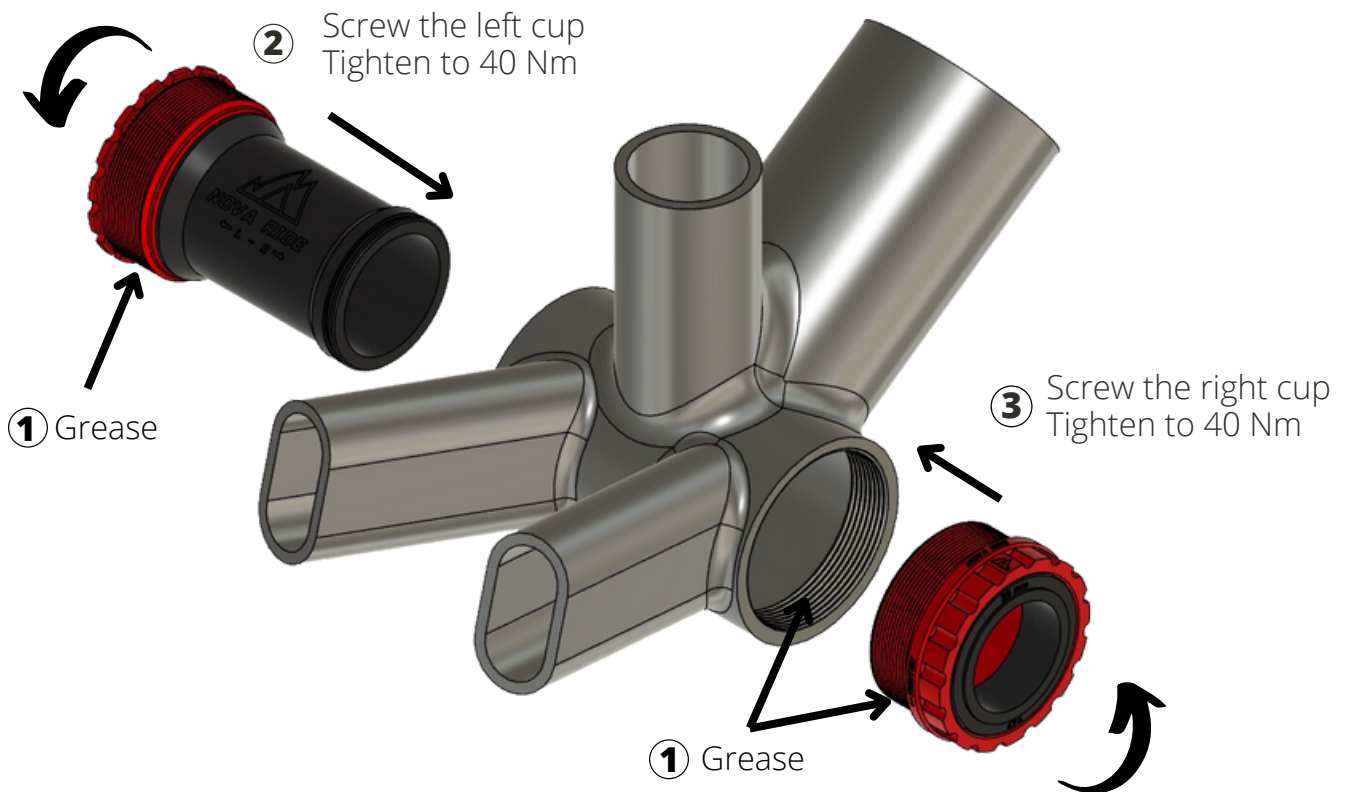


Drive Side (Right)

T47 77-A - 24/29/30MM

QUICK SETTINGS / INSTALLATION RAPIDE

Non drive Side (Left)



Drive Side (Right)

CONTACTS

CONTACTS

Email for After Sales Service - pour SAV (Service après-vente)

sav@novatoride.com

Email for Products info - pour information produits

info@novatoride.com

Instagram

nova2ride

Facebook

novaridecomponents

YouTube

NOVA RIDE

LinkedIn

NOVA RIDE

ENJOY YOUR RIDE

BONNE ROUTE

